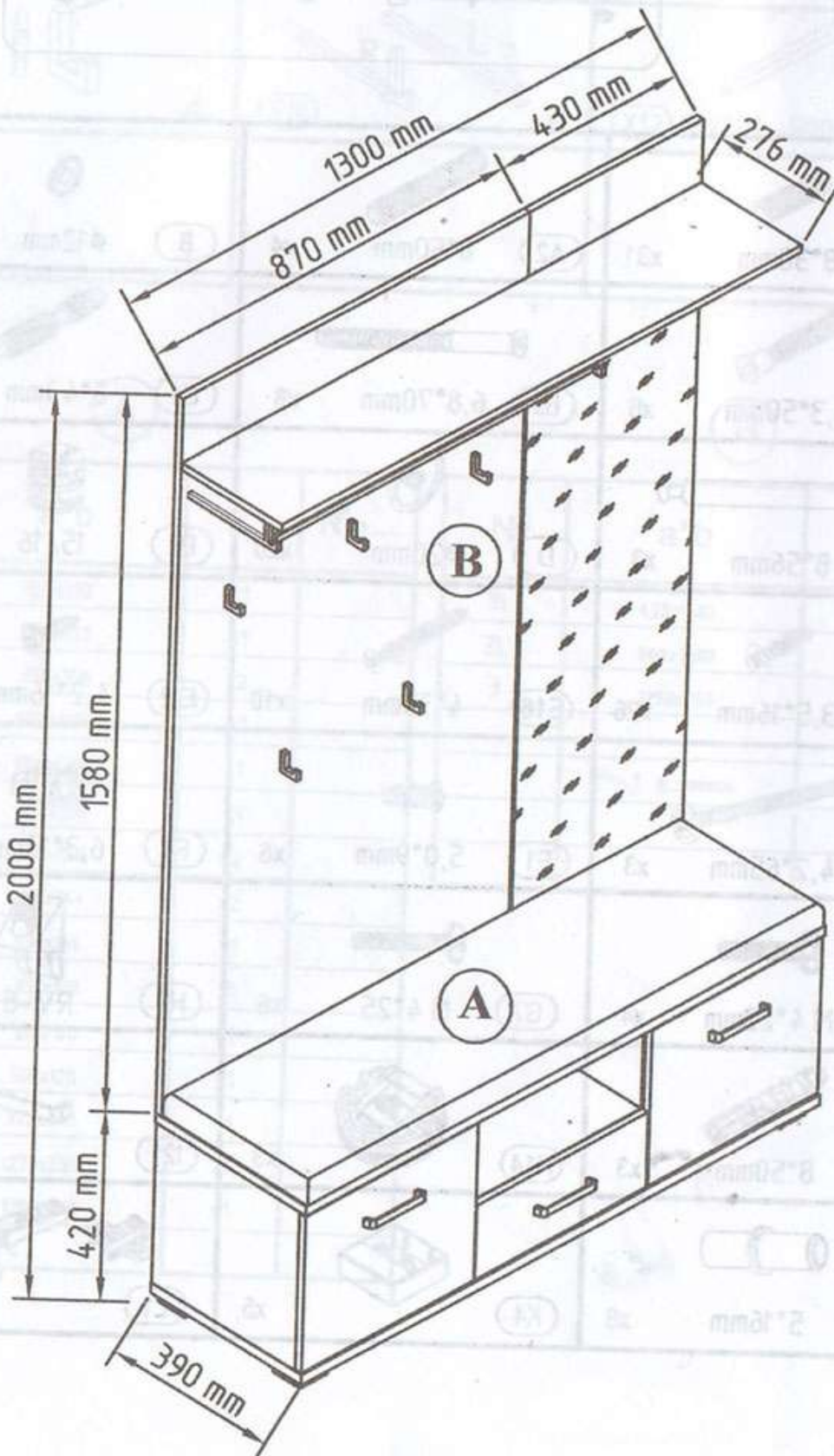
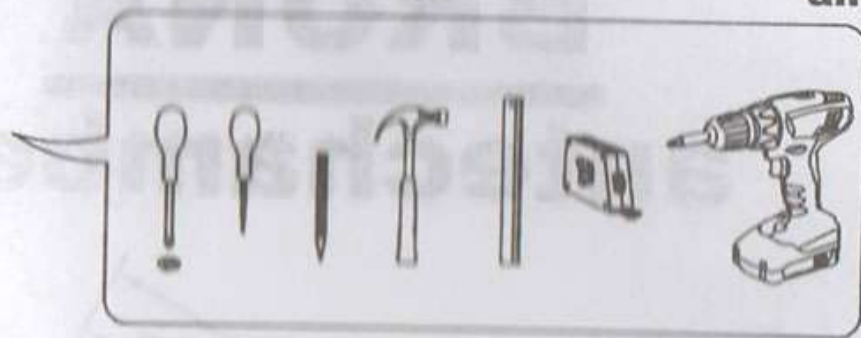




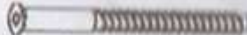











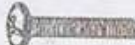












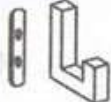
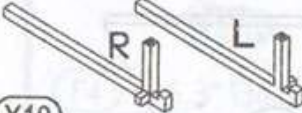

# BRUNA

## antechamber






 <b>(A1)</b> 8*30mm x31	 <b>(A2)</b> 8*50mm x4	 <b>(B)</b> $\phi$ 12mm x14
 <b>(B1)</b> 6,3*50mm x6	 <b>(B2)</b> 6,8*70mm x8	 <b>(C1)</b> 6*43mm x14
 <b>(C2)</b> 8*56mm x3	 <b>(D)</b> $\phi$ 20mm x20	 <b>(D1)</b> 15/16 x20
 <b>(E6)</b> 3,5*16mm x26	 <b>(E16)</b> 4*35mm x10	 <b>(E-2)</b> 4,2*16mm x2
 <b>(E-5)</b> 4,2*65mm x3	 <b>(F1)</b> 5,0*9mm x6	 <b>(F4)</b> 6,3*13mm x8
 <b>(G6)</b> M 4*22mm x4	 <b>(G7)</b> M 4*25 x6	 <b>(H2)</b> RV-8 x12
 <b>(H5)</b> 8*50mm x3	 <b>(H14)</b> x3	 <b>(I21)</b> x3
 <b>(J1)</b> 5*16mm x8	 <b>(K4)</b> x5	 <b>(L1)</b> x4

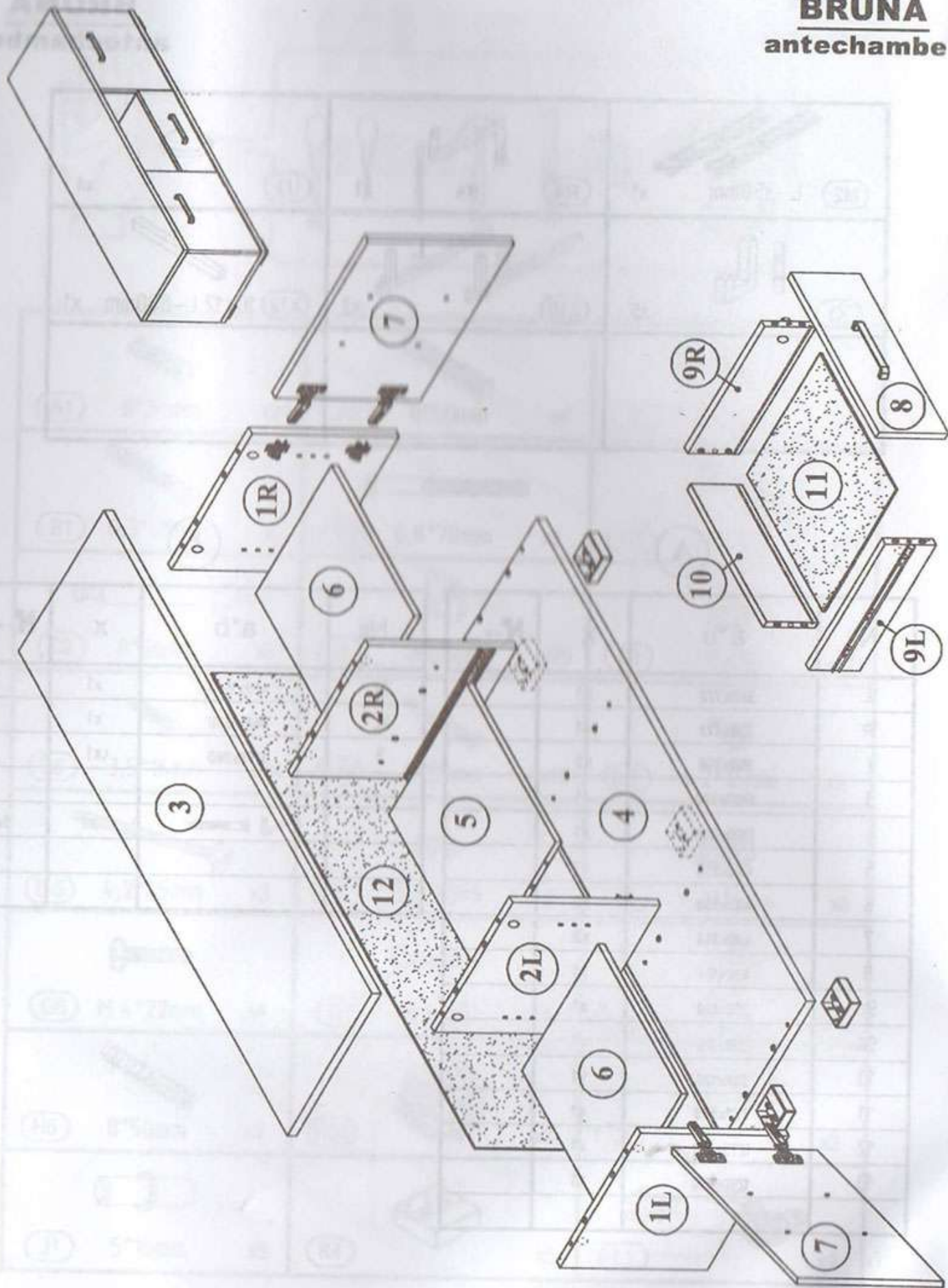
 (M2) L-350mm x1	 (R4) N°4 x1	 (U3) x4
 (X1) x5	 (X10) x2	 (X12) 10x12 L-800mm x1











(A)

(B)

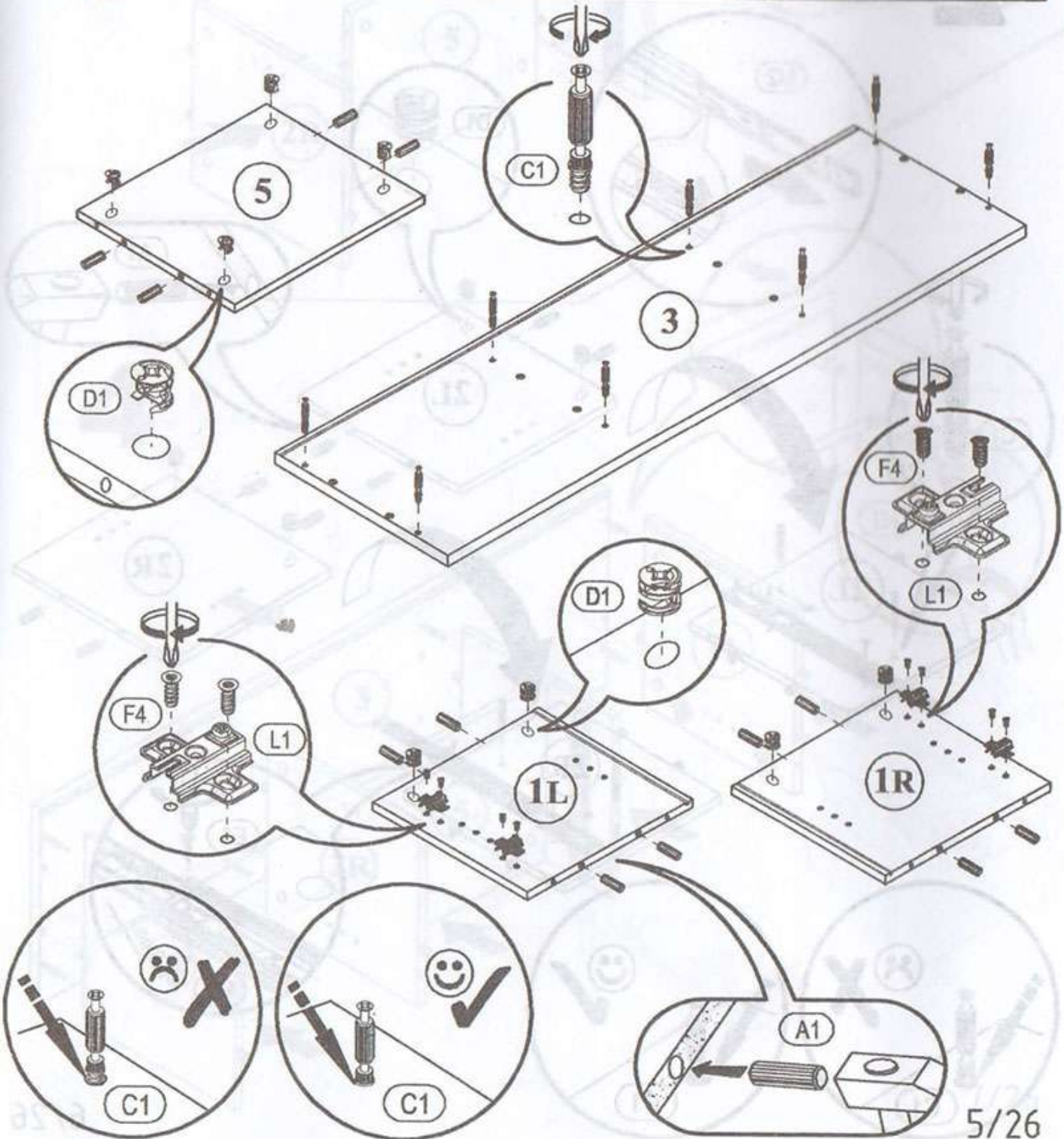
No	a*b	x	N°→...
1L	350x372	x1	
1R	350x372	x1	
2	350x358	x2	
3	1300x390	x1	
4	1300x390	x1	
5	426x358	x1	
6	403x350	x2	
7	430x344	x2	
8	430x164	x1	
9L	350x120	x1	
9R	350x120	x1	
10	368x120	x1	
11	377x343	x1	
12	1275x359	x1	
13	1290x370	x1	






No	a*b	x	N°→...
1R	432x1580	x1	
2L	868x1580	x1	
3	1298x260	x1	
		x1	3/3



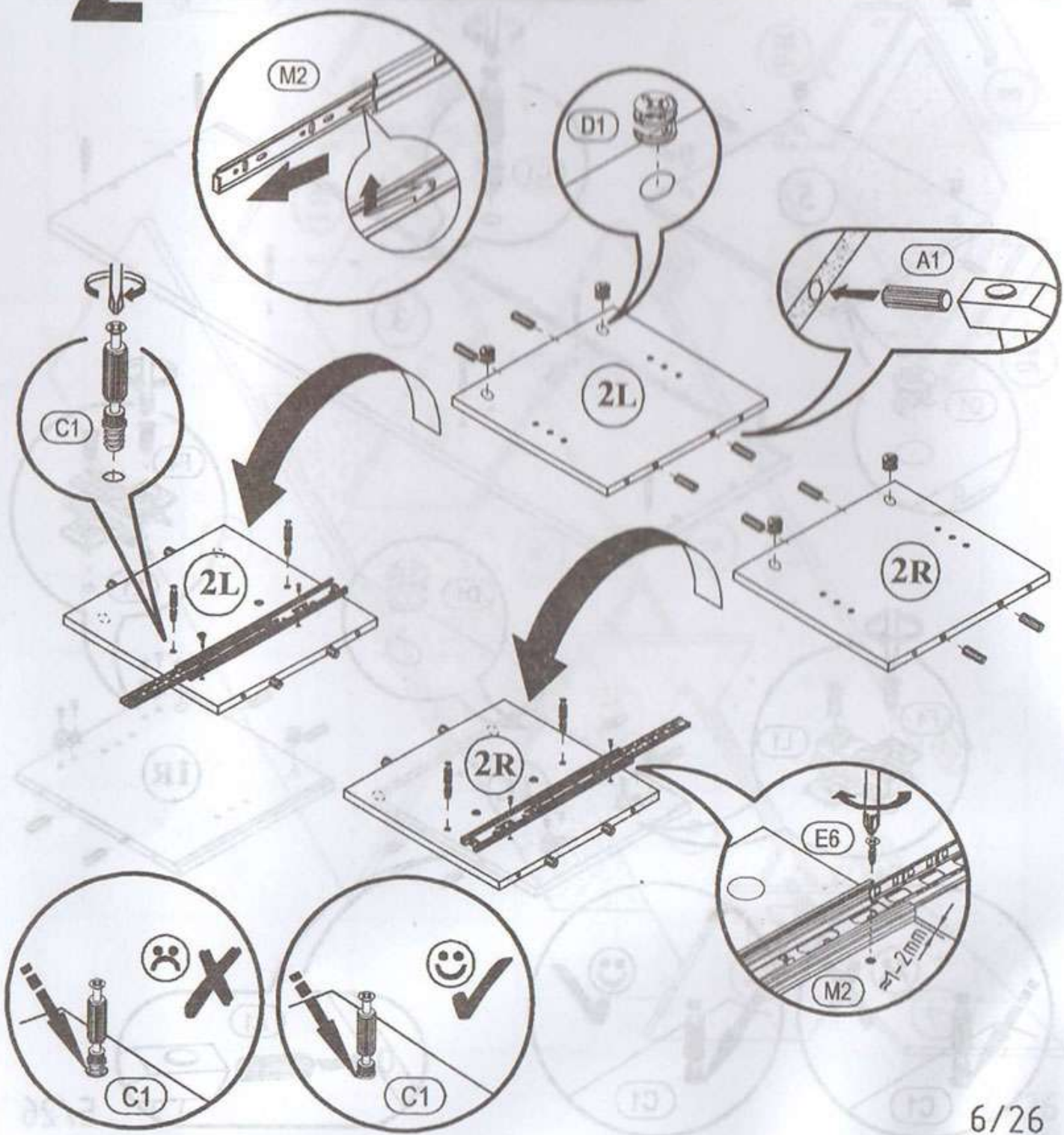
 A1	 8*30mm	x12	 C1	 6*43mm	x8	 D1	 15/16	x8
 F4	 6,3*13mm	x8	 L1	 L1	x4			

1

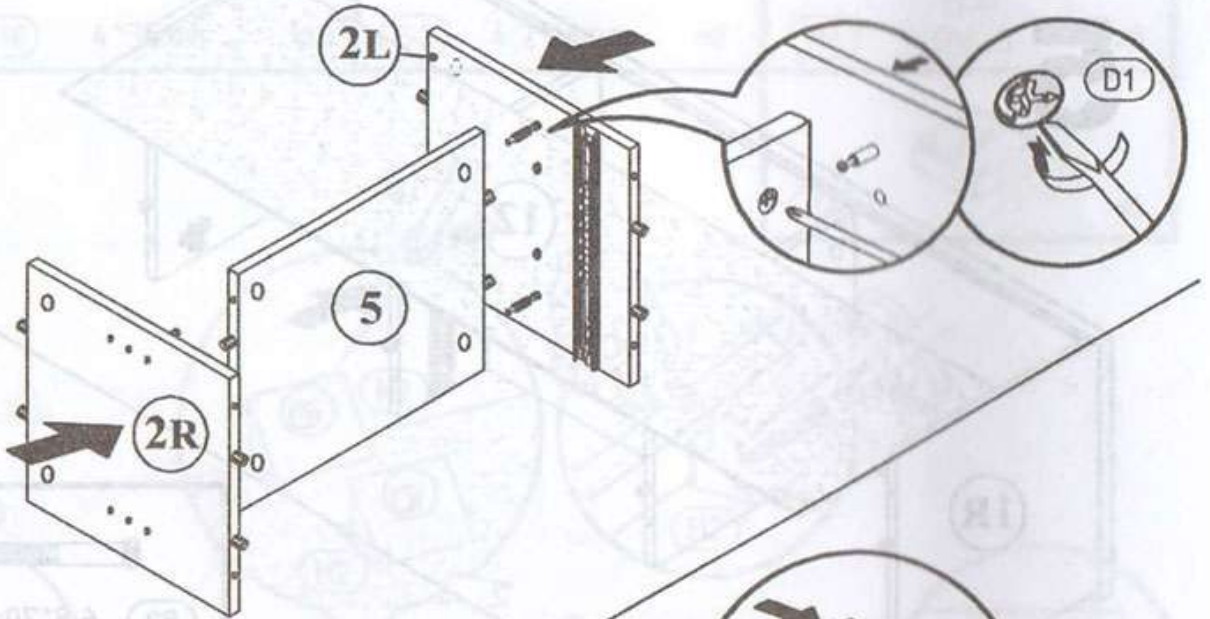


 A1 8*30mm x8	 C1 6*43mm x4	 D1 15/16 x4
	 E6 3,5*16 x4	 M2 L-350mm x1

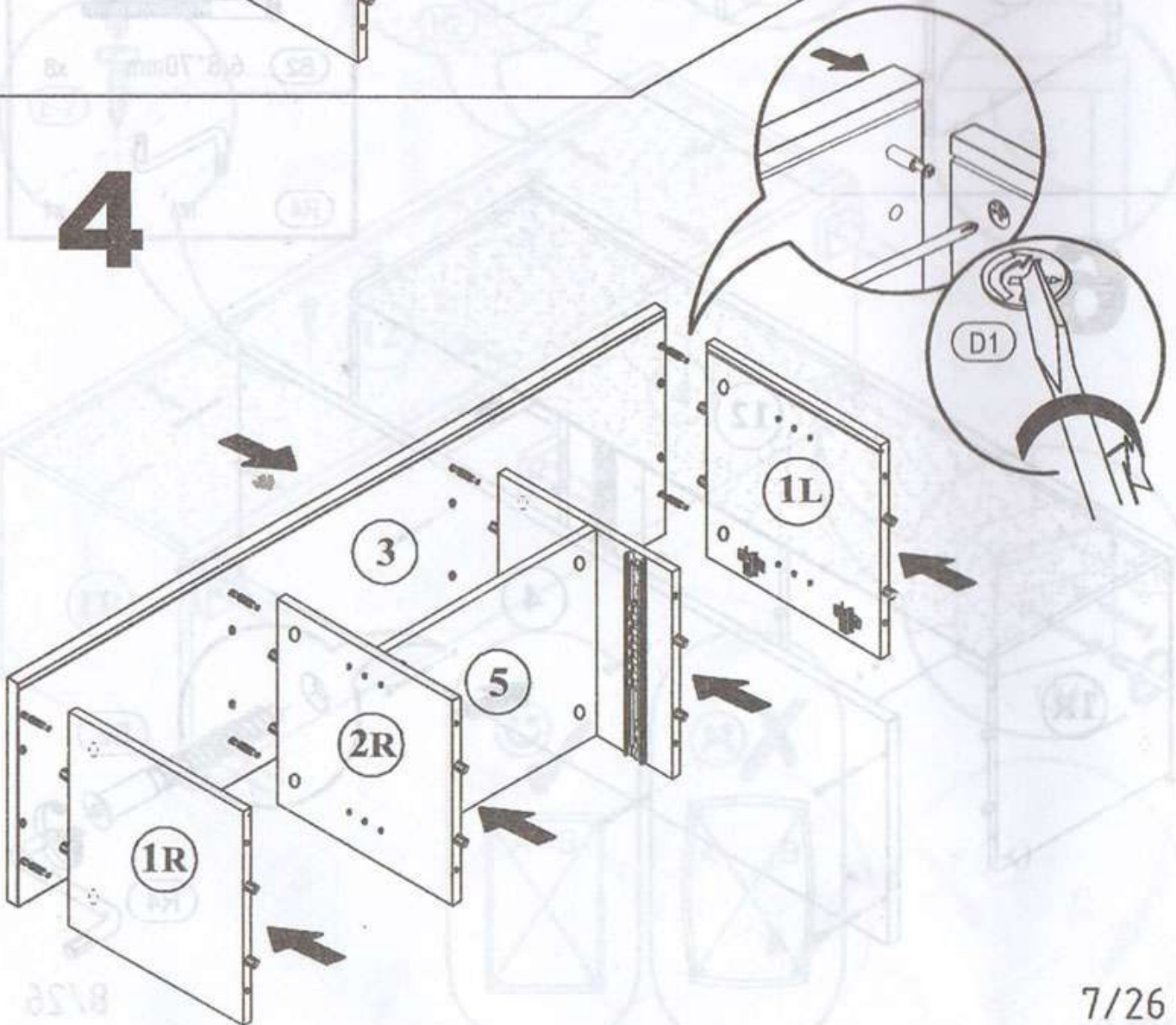
2



3

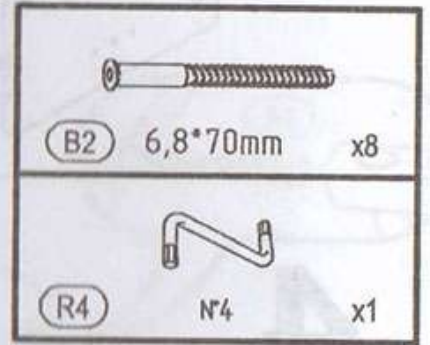
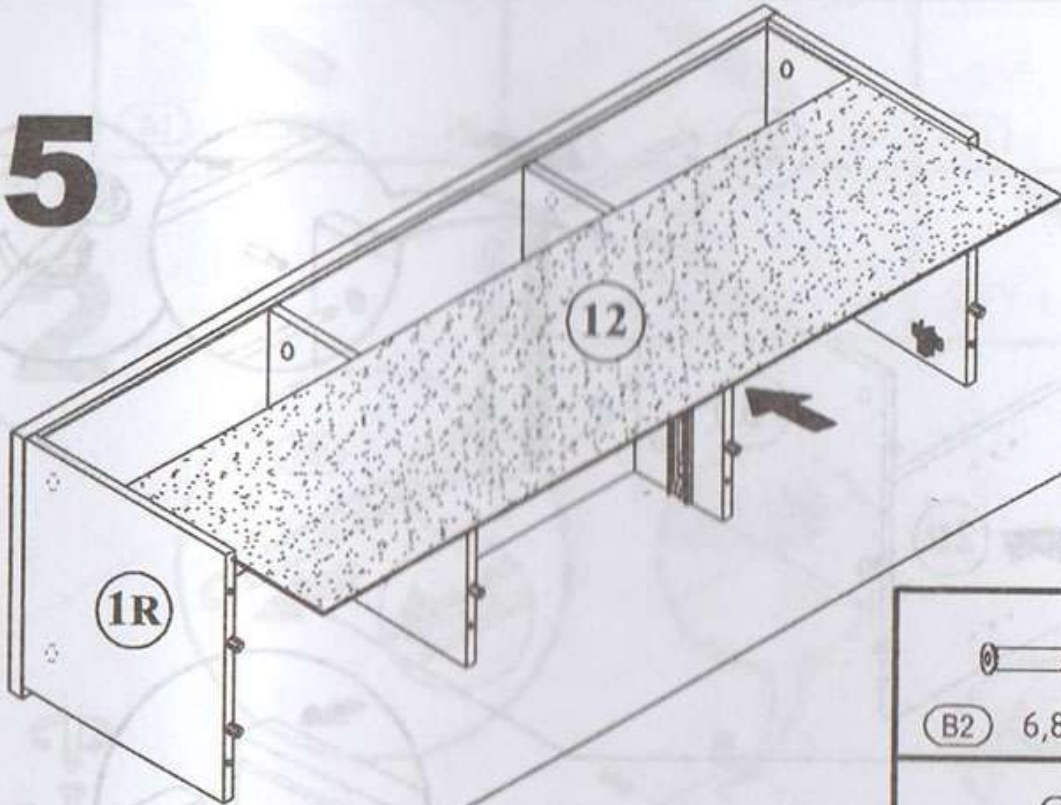


4

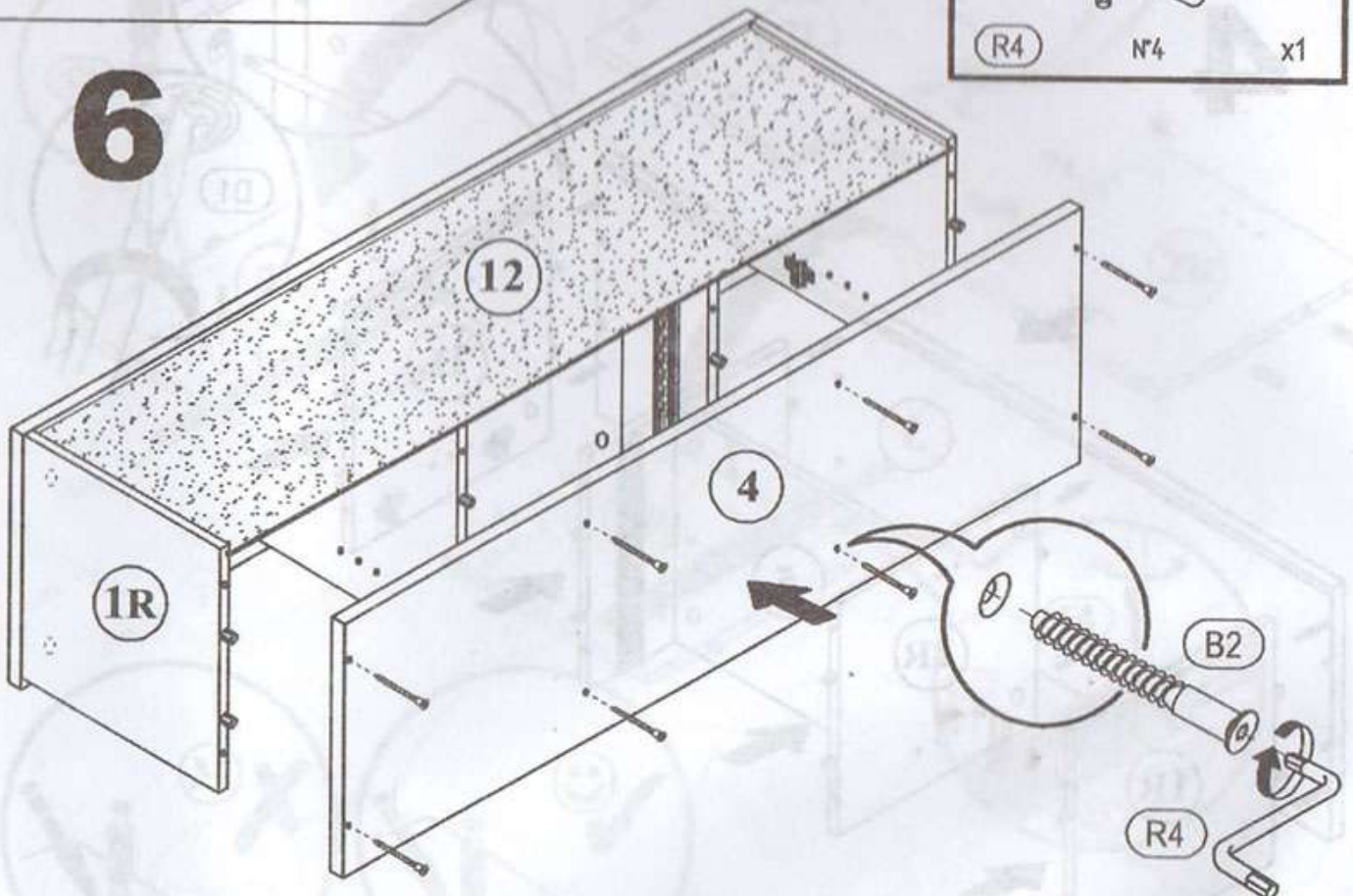


A

5



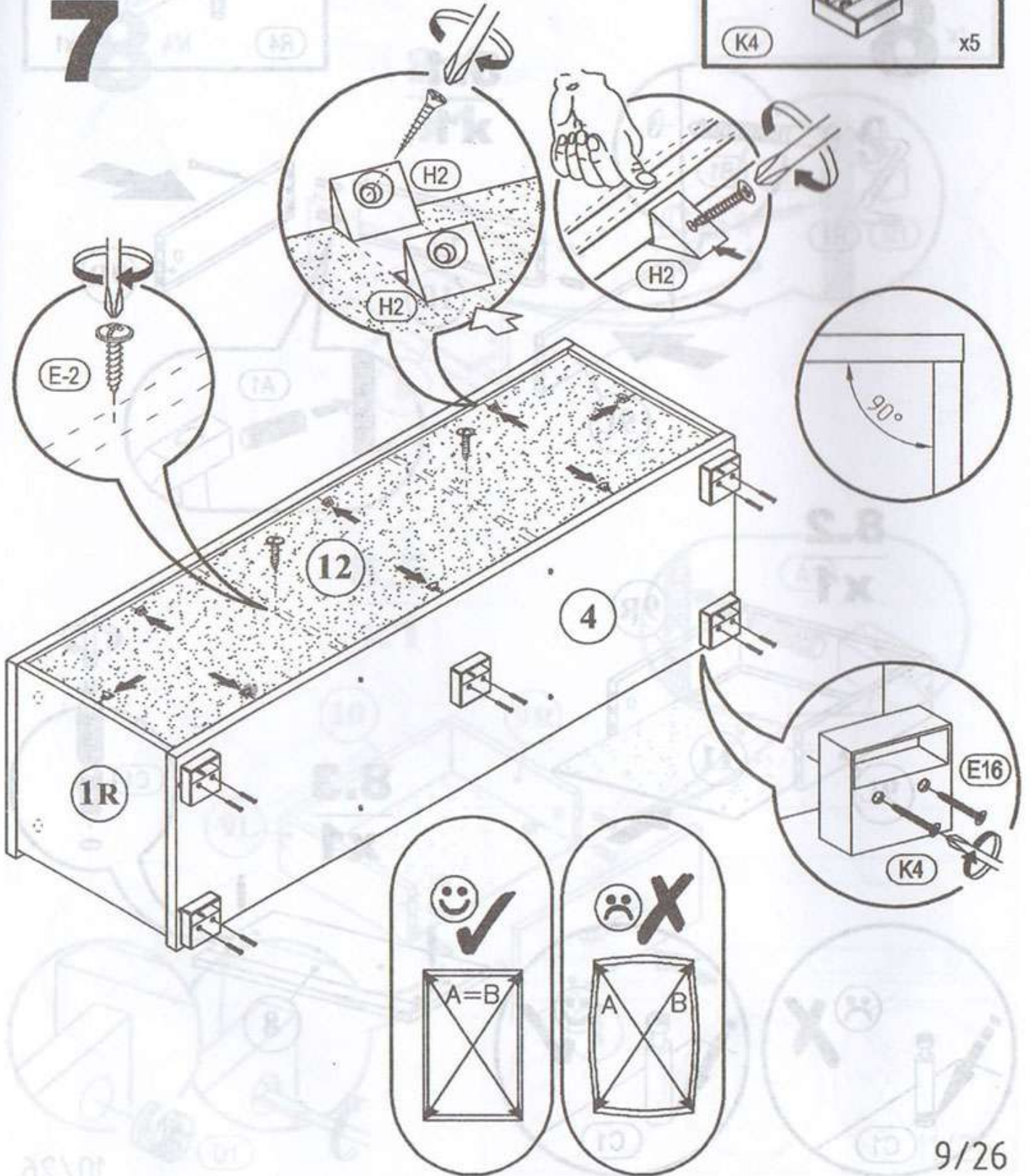
6









 E16 4*35mm x10	 E-2 4,2*16mm x2	 H2 RV-8 x8
		 K4 x5

# 7

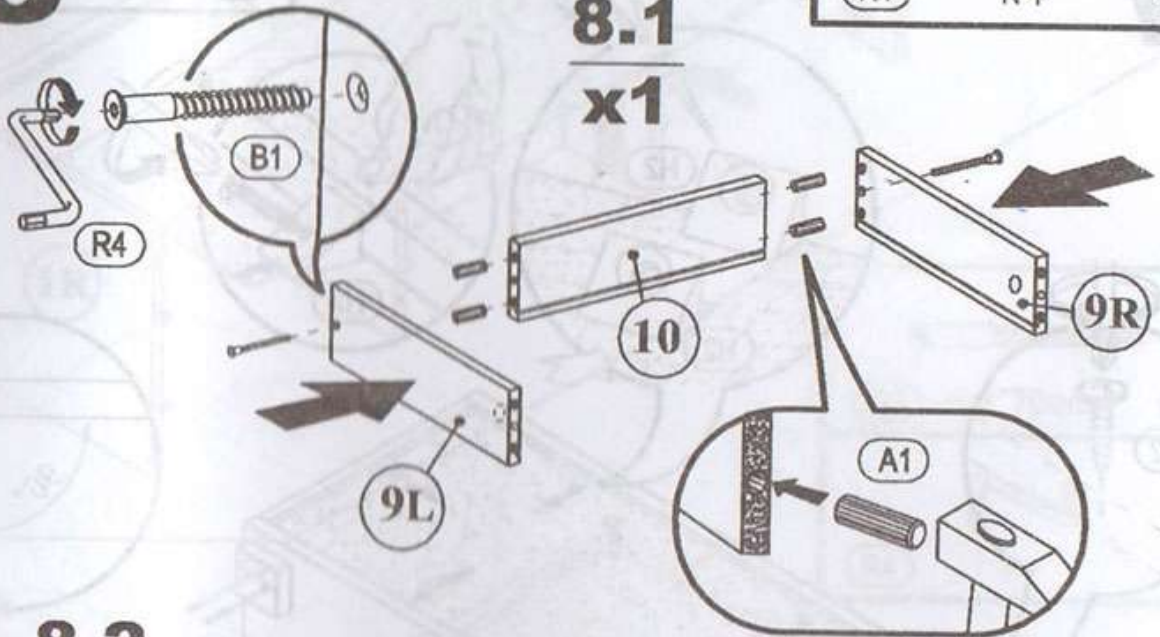


**A**

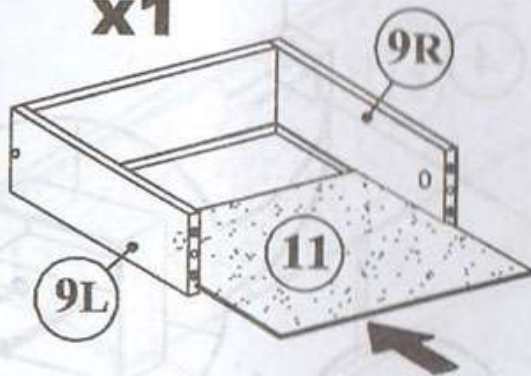
 <b>A1</b> 8*30mm x4	 <b>B1</b> 6,3*50mm x2	 <b>C1</b> 6*43mm x2
		 <b>R4</b> N°4 x1

**8**

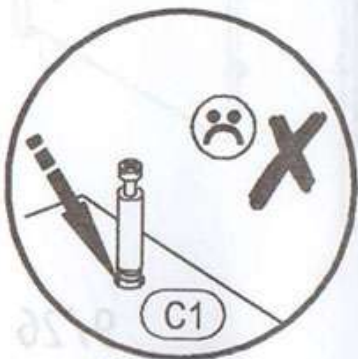
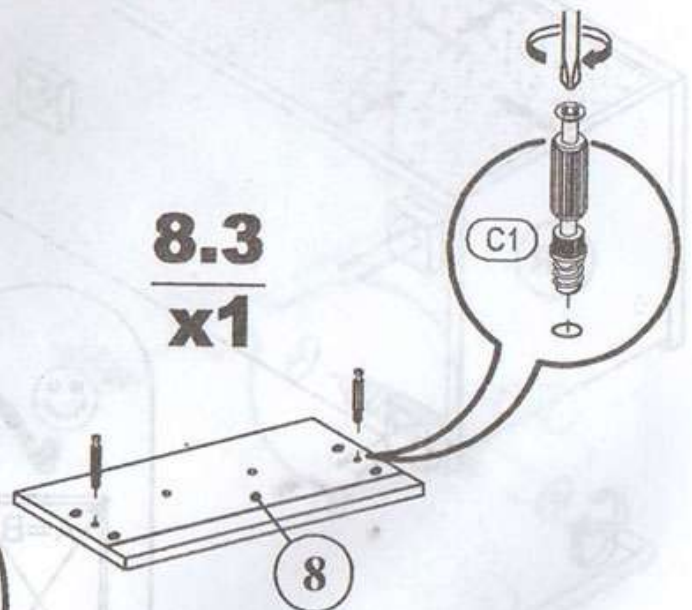
**8.1**  
**x1**







**8.2**  
**x1**



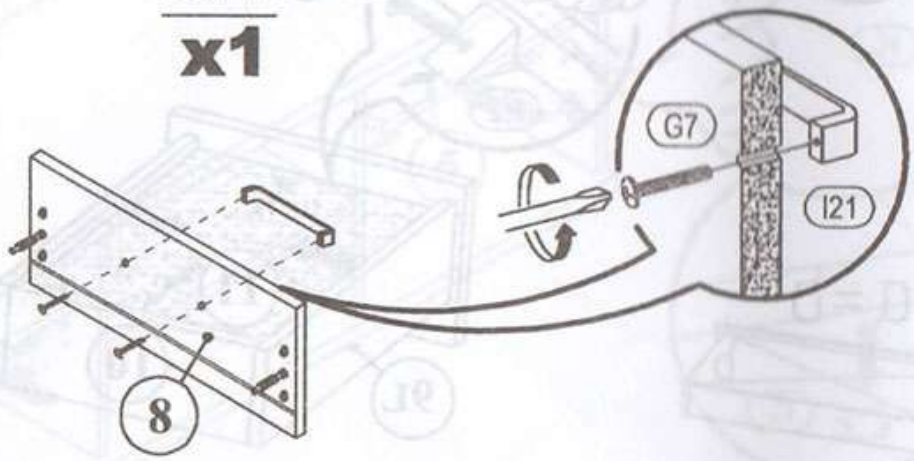
**8.3**  
**x1**



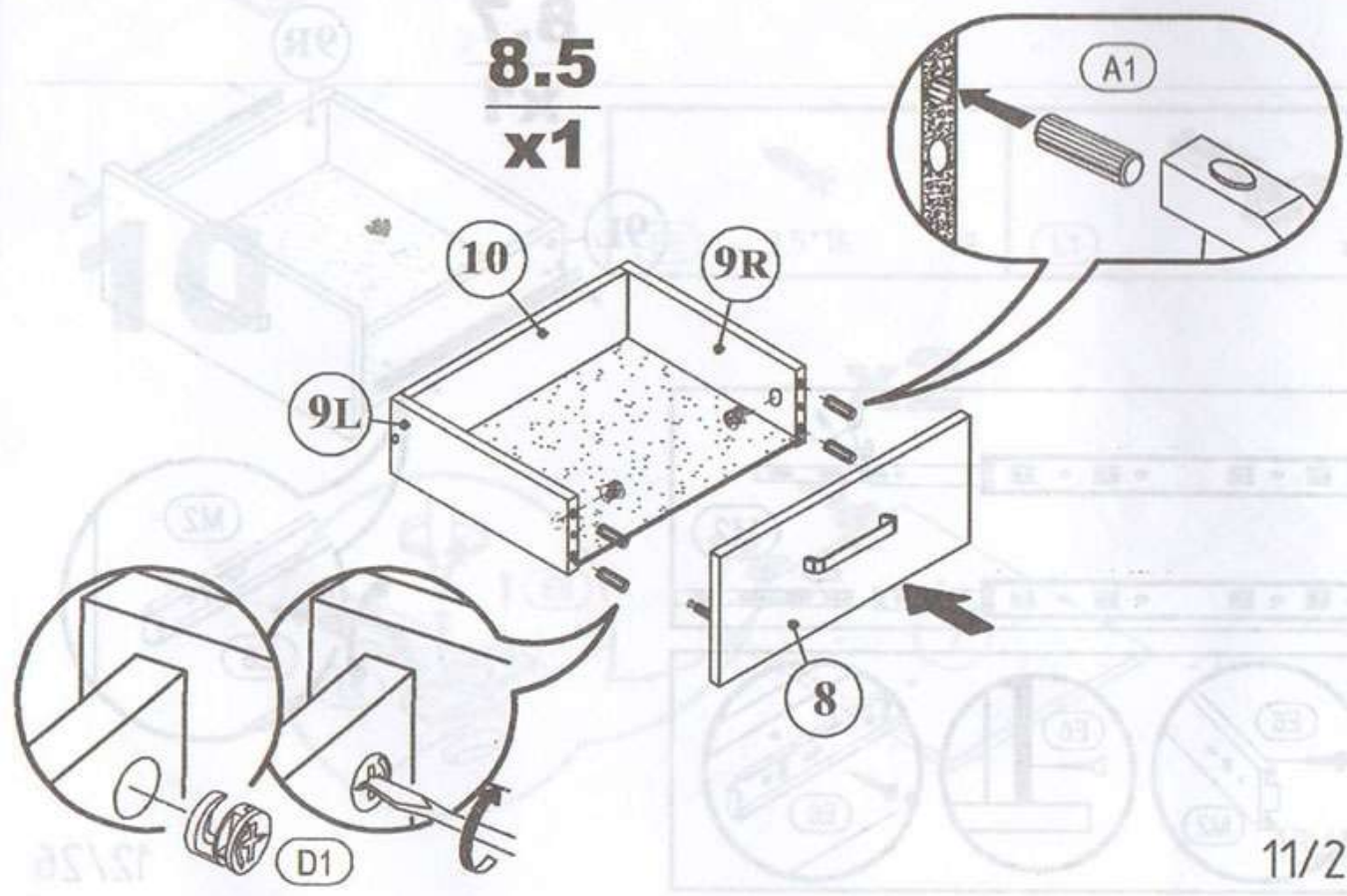
 A1 8*30mm x4	 D1 15/16 x2	 G7 M 4*25 x2
		 I21 x1




8

8.4  
x1



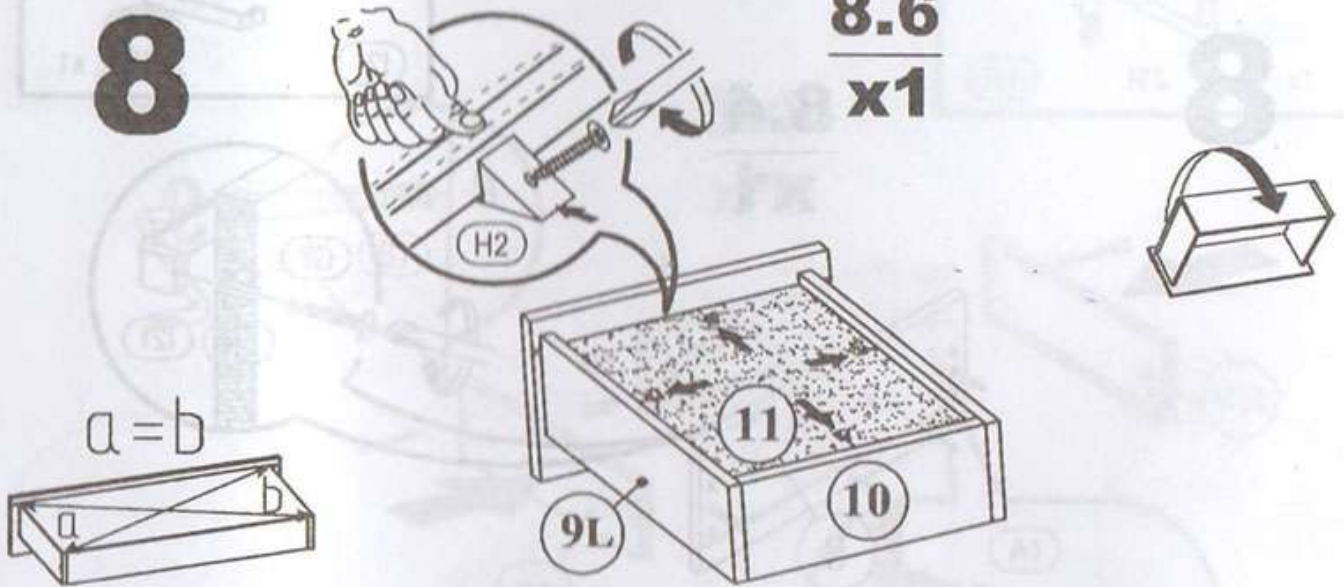
8.5  
x1



 (E6) 3,5*16mm x4	 (H2) RV-8 x4	 (M2) L-300mm x1
---	---	--

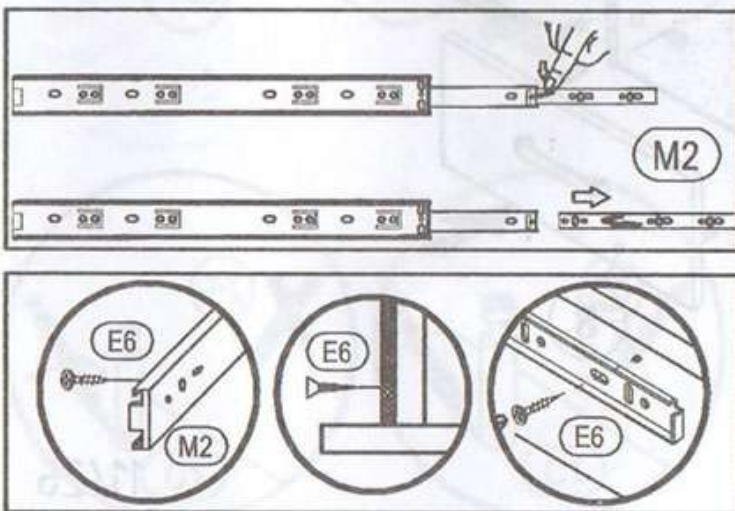
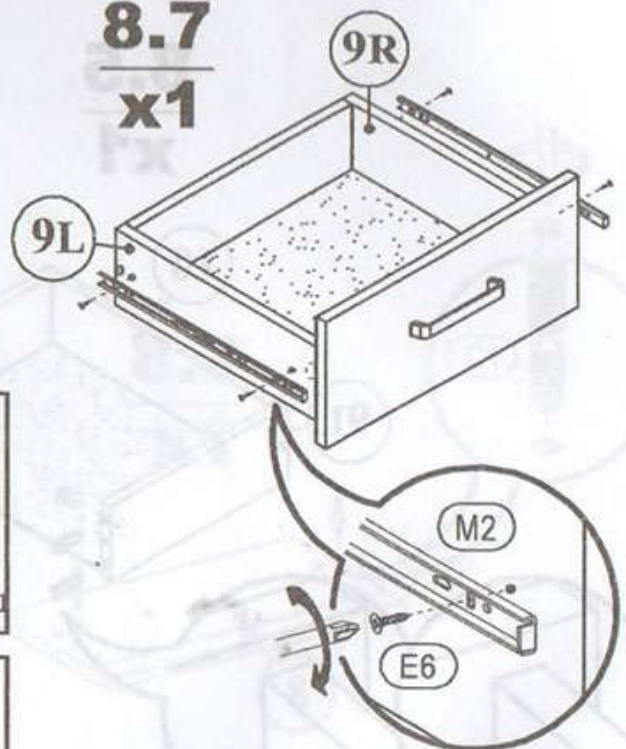
**8**

**8.6**  
**x1**



$a = b$

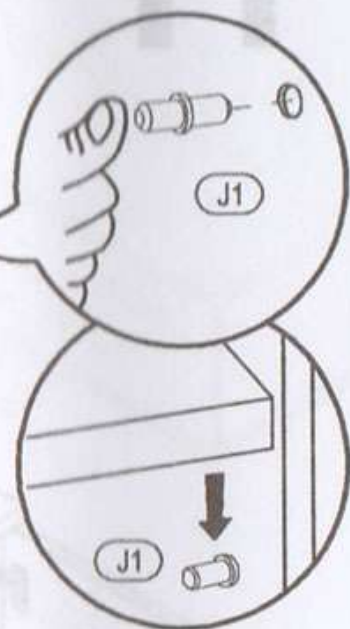
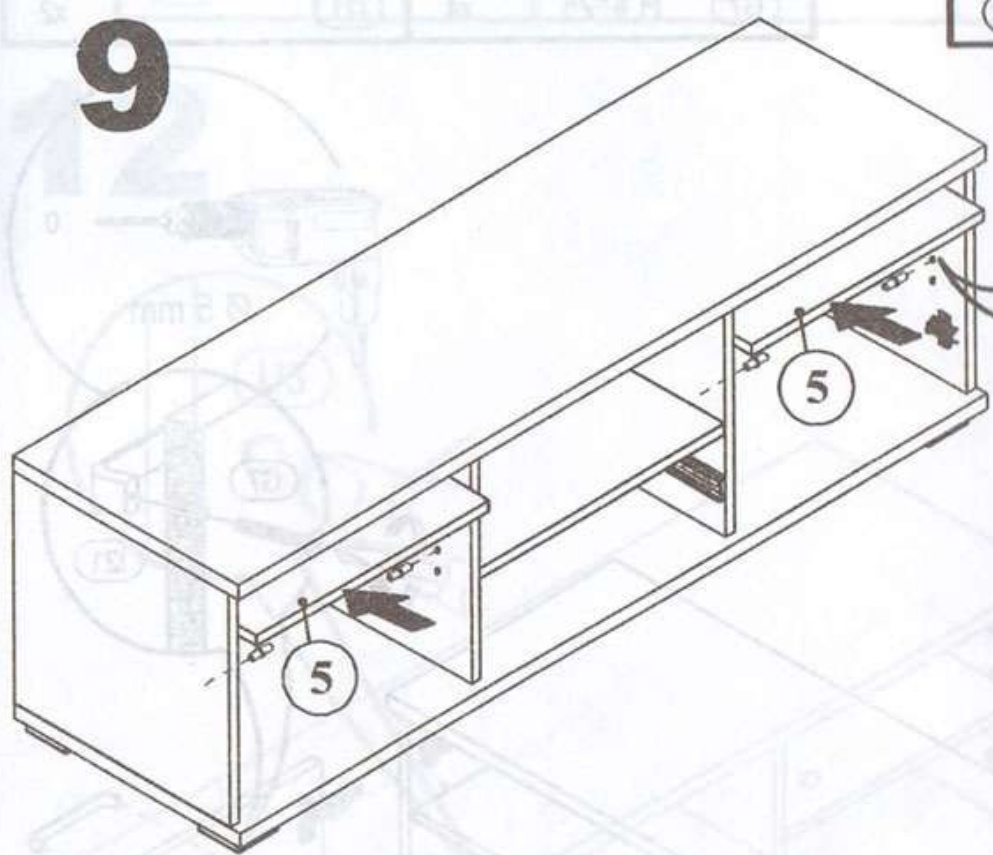
**8.7**  
**x1**



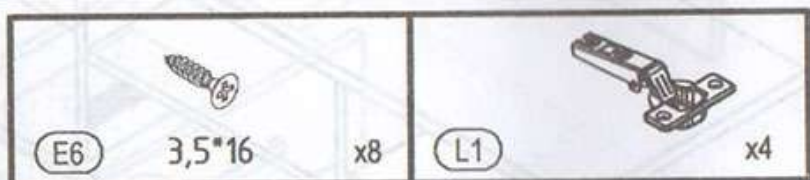
A



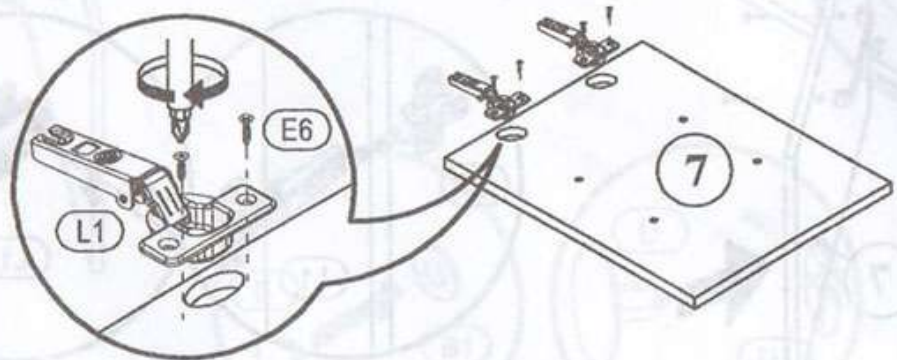
9





10

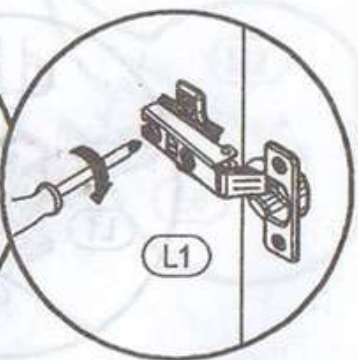
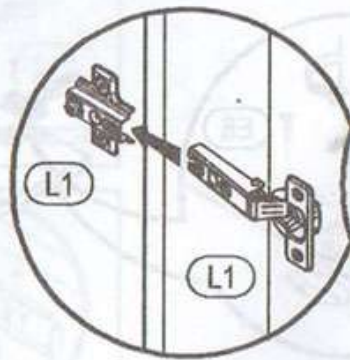
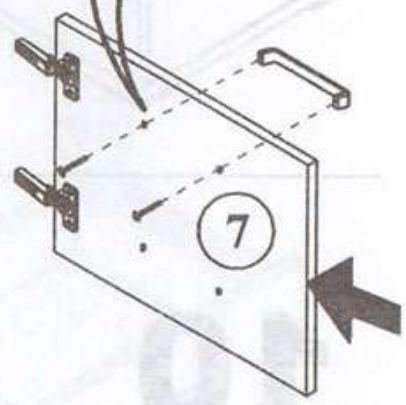
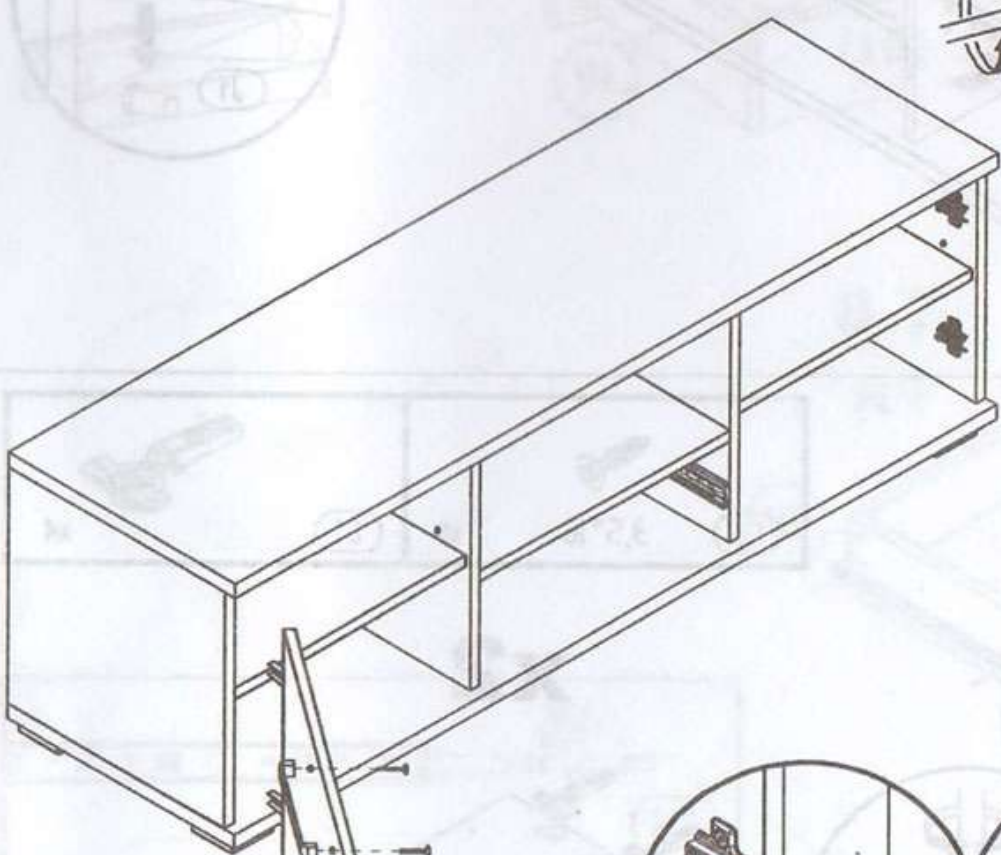
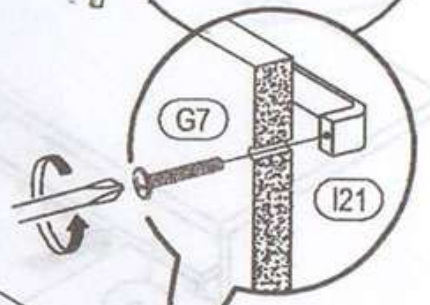


x2



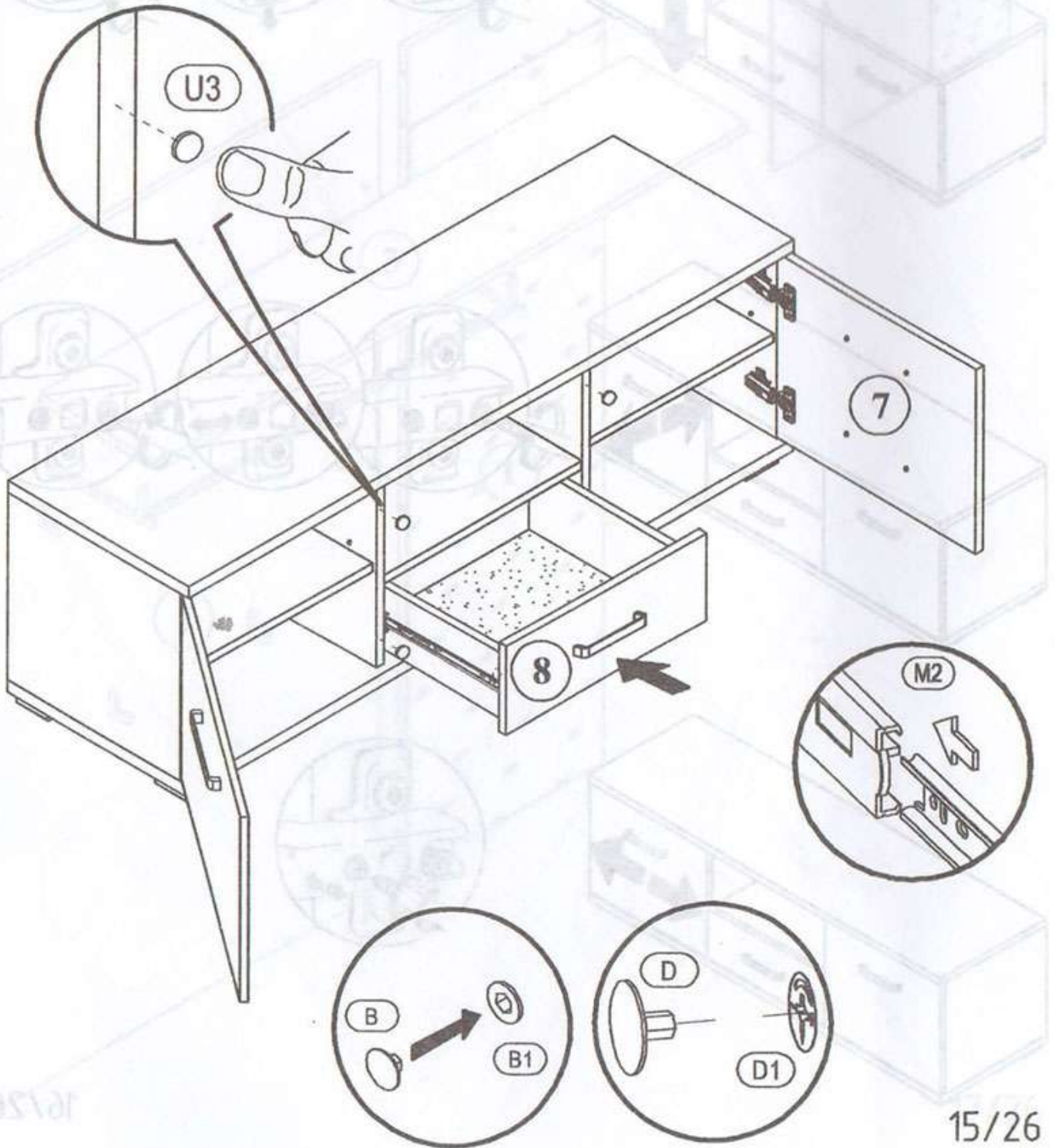
11

	
(G7) M 4*25 x4	(I21) x2



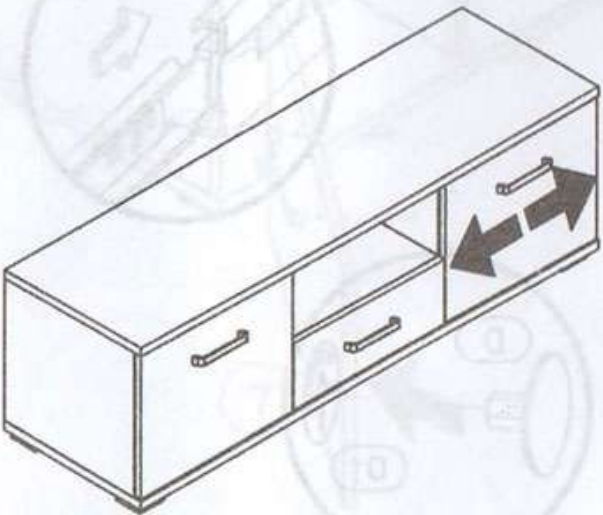
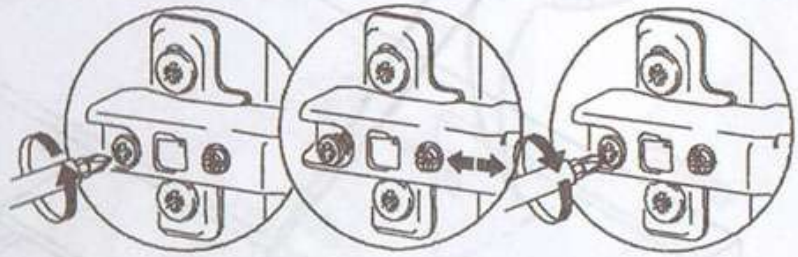
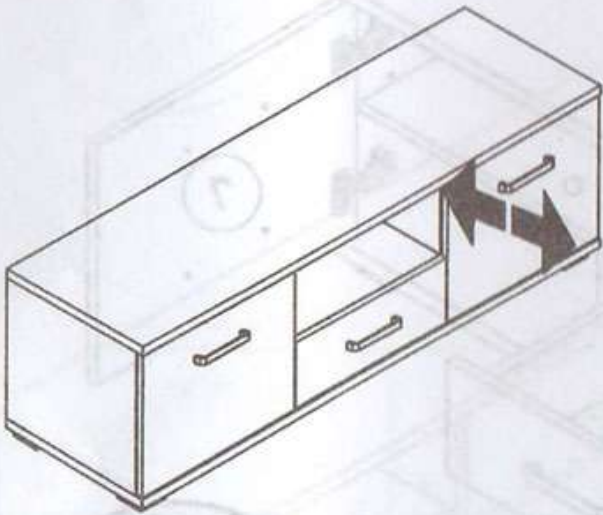
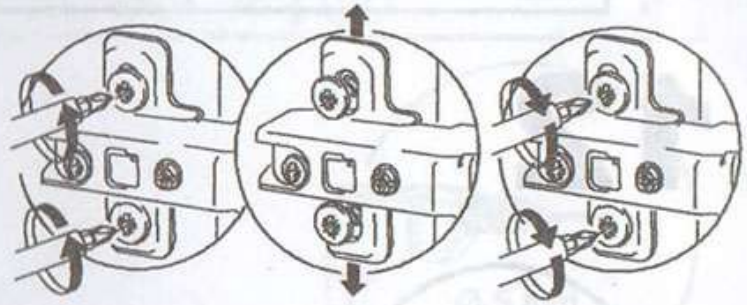
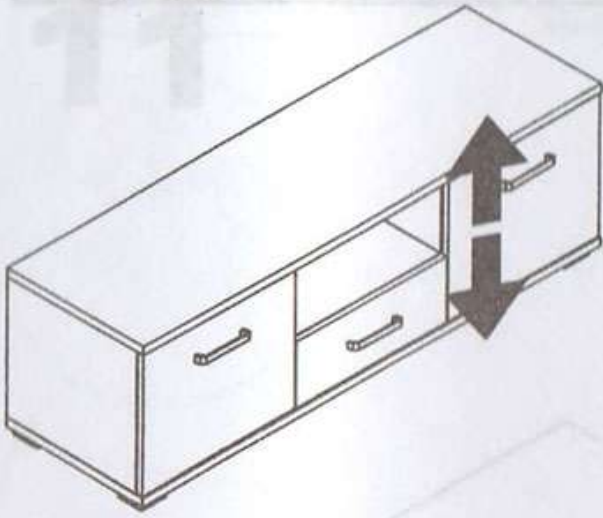
 B $\phi 12\text{mm}$ x10	 D $\phi 20\text{mm}$ x14	 U3    x4
---	---	---

12



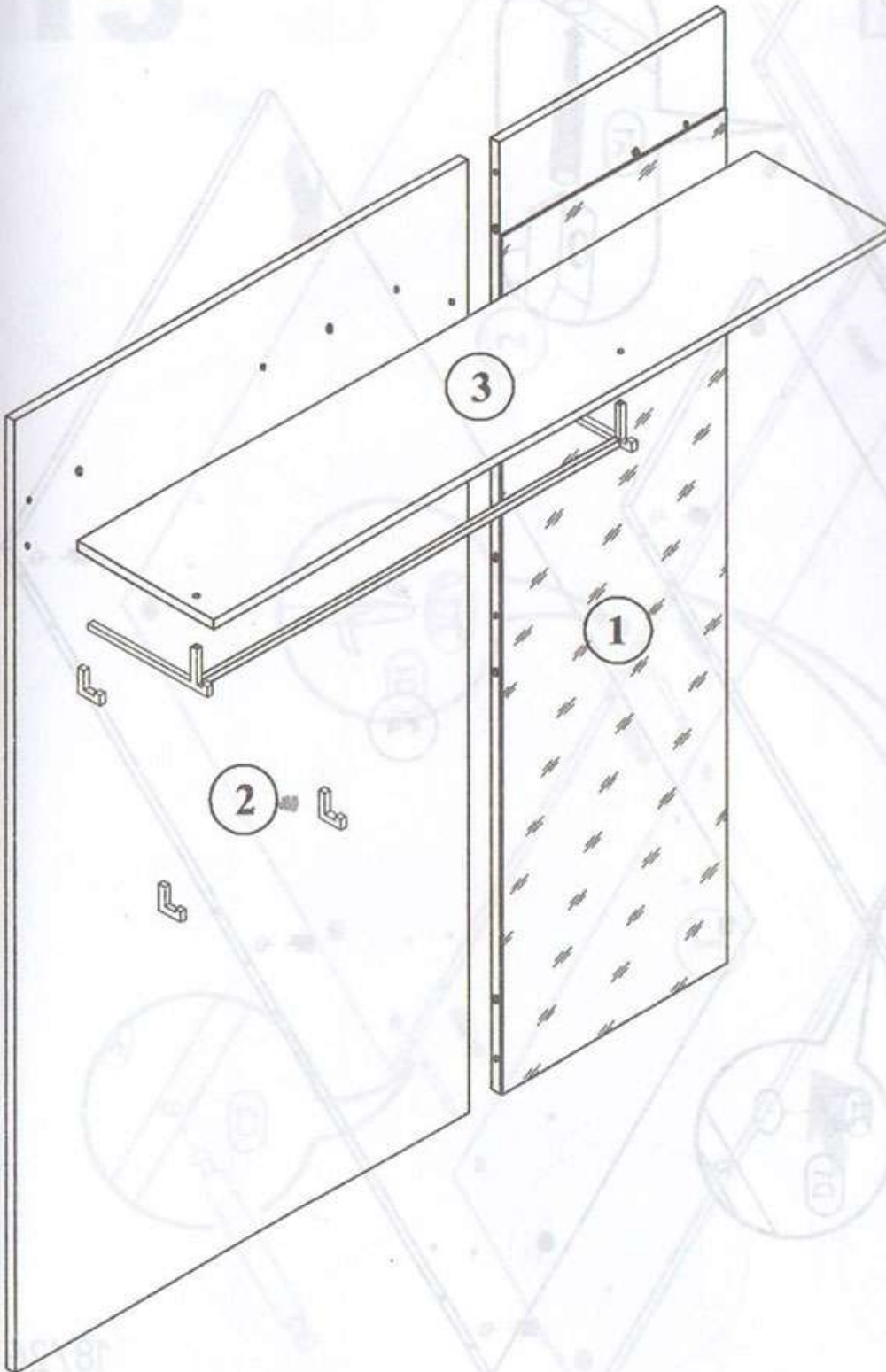
A

13







B

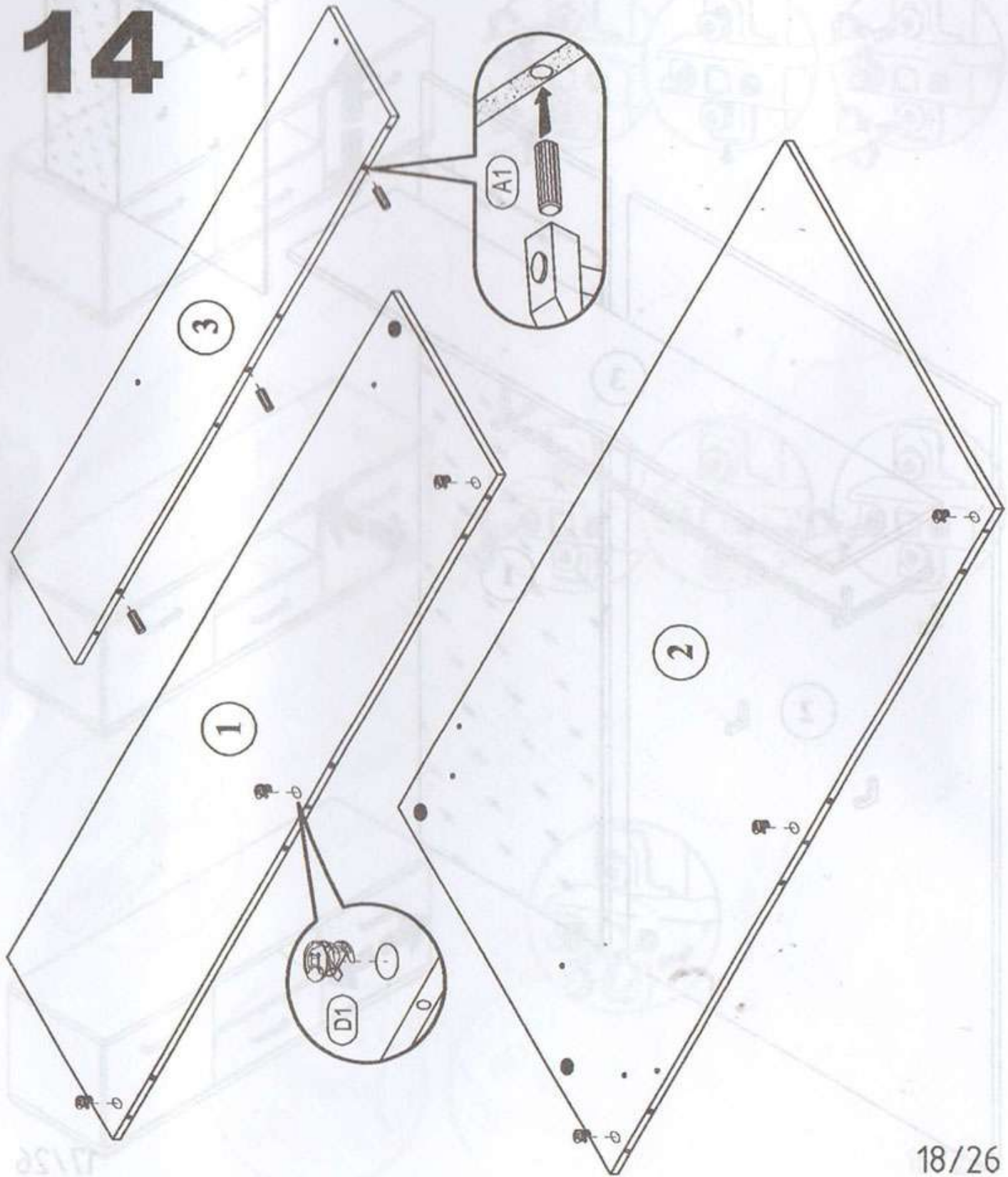


**B**

**BRUNA**  
antechamber

	
<b>A1</b> 8*30mm x3	<b>D1</b> 15/16 x6

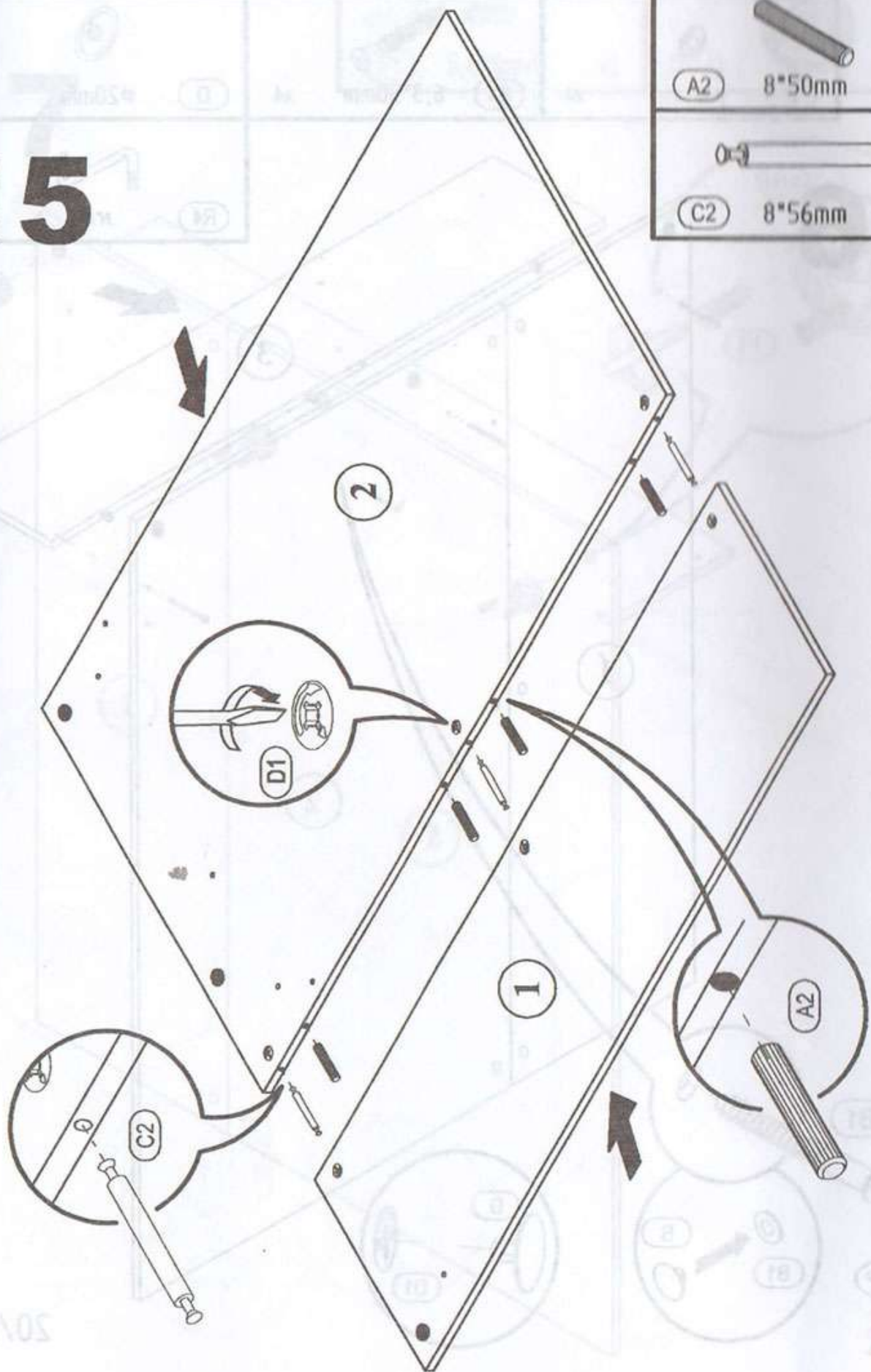
**14**







(B)

15

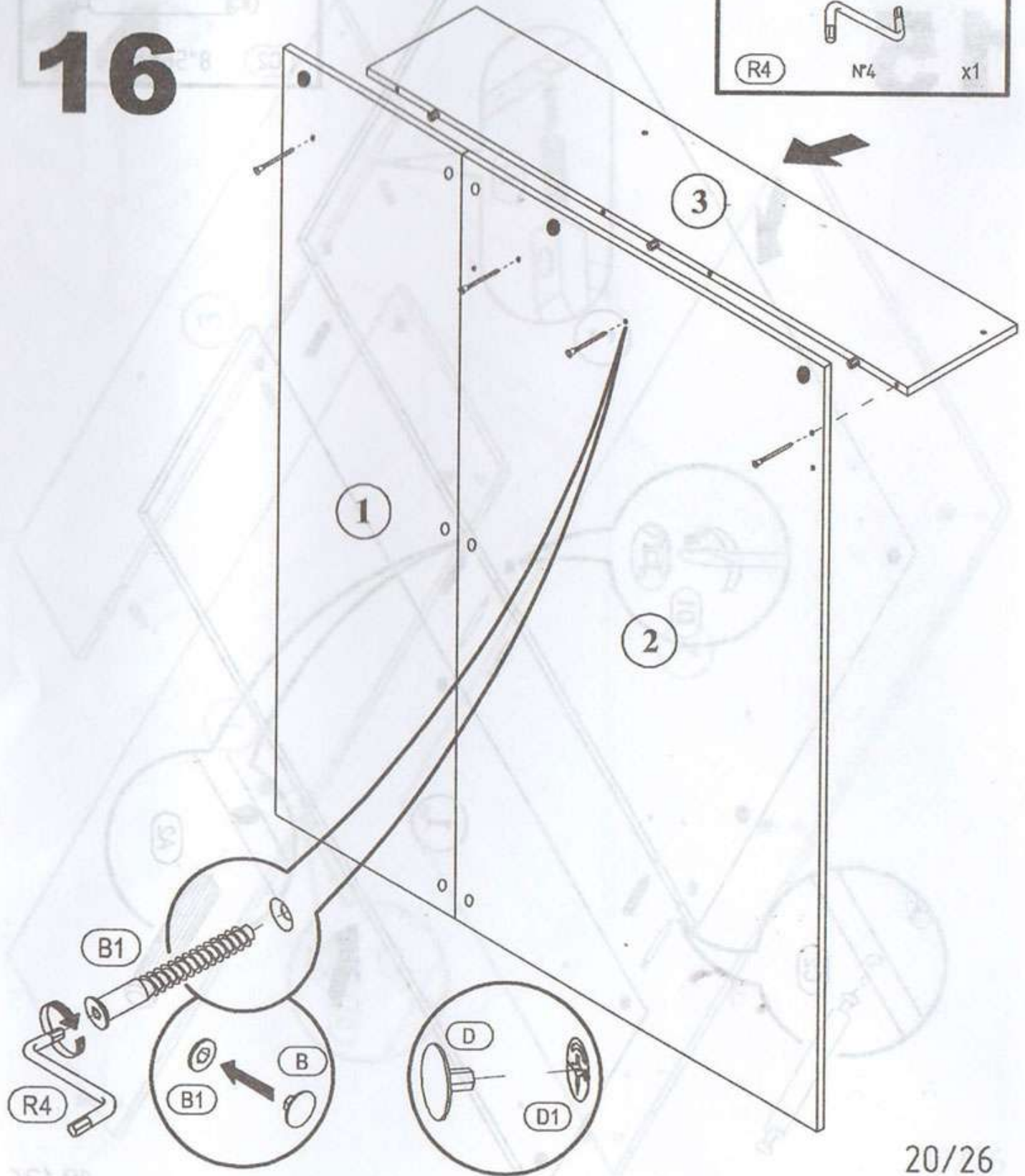
(A2)	8*50mm	x4
(C2)	8*56mm	x3





**B**

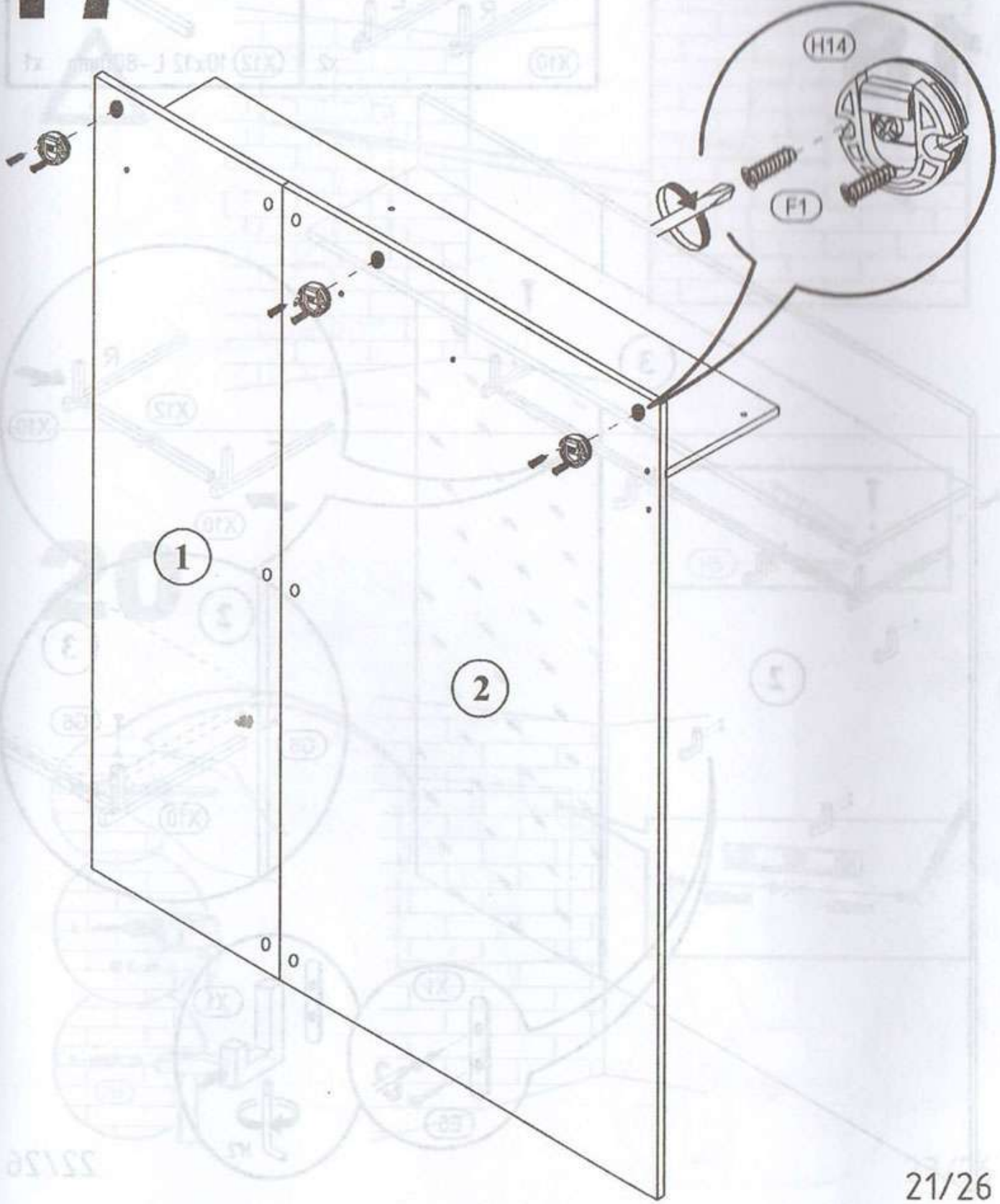
 <b>B</b> $\phi 12\text{mm}$ x4	 <b>B1</b> 6,3*50mm    x4	 <b>D</b> $\phi 20\text{mm}$ x6
		 <b>R4</b> N4    x1

**16**



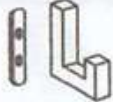
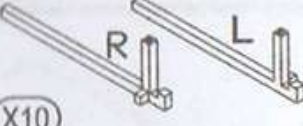



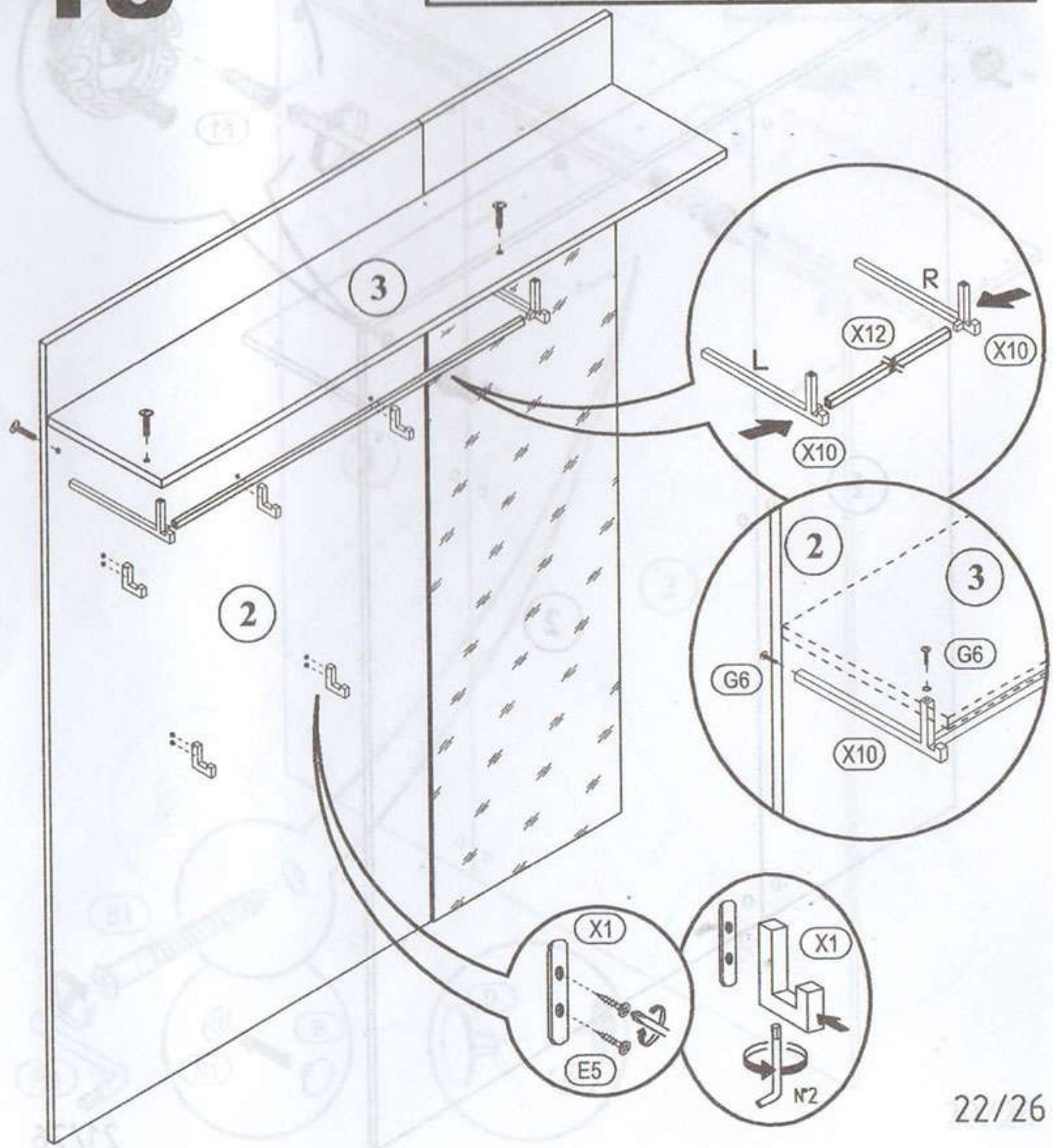
	
(F1) 5,0*9mm x6	(H14) x3

17

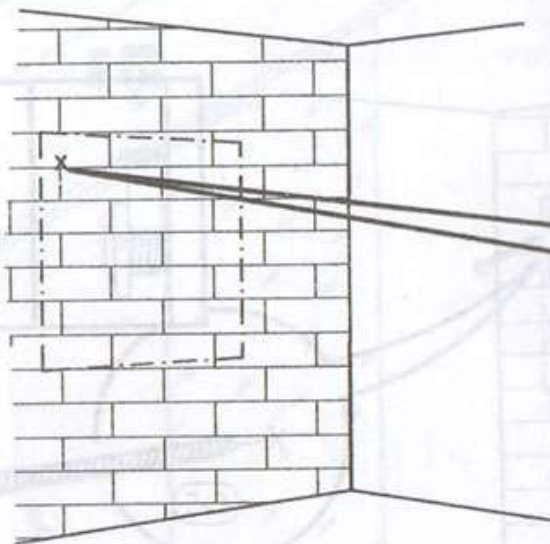


18

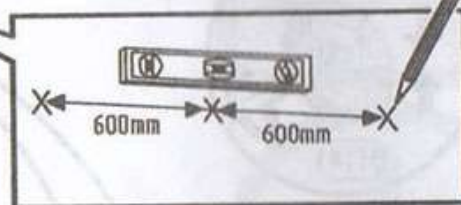
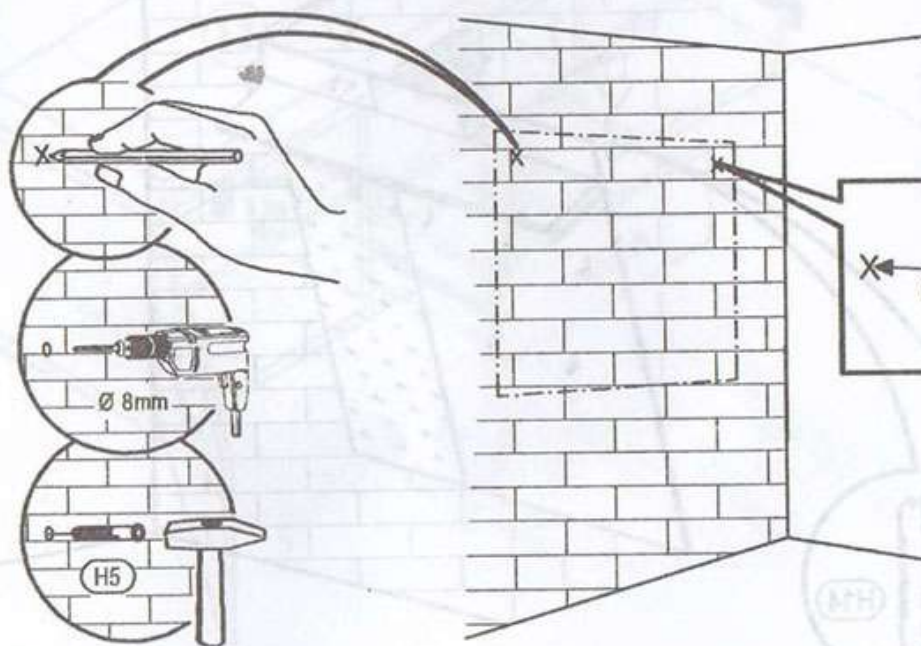
 <b>(E6)</b> 3,5*16mm x10	 <b>(G6)</b> M 4*22mm x4	 <b>(X1)</b> x5
 <b>(X10)</b> x2	 <b>(X12)</b> 10x12 L-800mm x1	



19

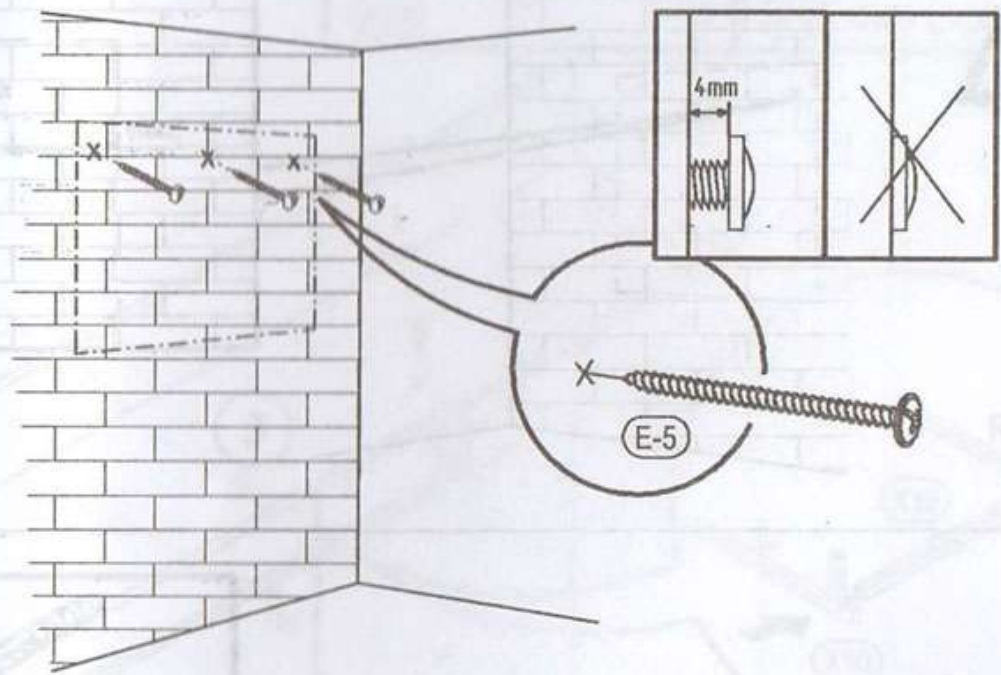


20





# 21



# 22

